

### Weights

Operating weight with cab and bucket (ISO 6016)	1885 kg
Transport mass (no attachment)	1768 kg
Weight reduction with canopy	-96 kg
Additional weight for long dipperstick	6 kg
Additional weight for counterweight	50 kg
Ground pressure with rubber tracks	32.40 kPa

### Engine

Make / model	Kubota / D722-E4B (Stage V)
Fuel	Diesel
Number of cylinders	3
Displacement	719 cm <sup>3</sup>
Maximum power @ 2500 rpm (ISO 14396)	10.2 kW
Maximum torque (SAE)	43.5 Nm

### Hydraulic System

Pump type	Dual piston pump with gear pump
Pump capacity	41.30 L/min
Piston pump capacity	30.00 L/min
Auxiliary (AUX1) flow	30.00 L/min
Auxiliary (AUX2) flow	15.00 L/min
Auxiliary (AUX1) relief	180.00 bar
Auxiliary (AUX2) relief	179.00 bar

### Performance

Digging force, dipperstick (ISO 6015)	10371 N
Digging force, long dipperstick (ISO 6015)	9279 N
Digging force, bucket (ISO 6015)	20835 N
Drawbar pull	19380 N
Travel speed, low range	2.7 km/h
Travel speed, high range	4.2 km/h

### Slew System

Boom swing, left	80.0°
Boom swing, right	60.0°
Slew rate	8.4 RPM

### Fluid Capacities

Fuel reservoir	19.00 L
Hydraulic reservoir	14.30 L

### Environmental

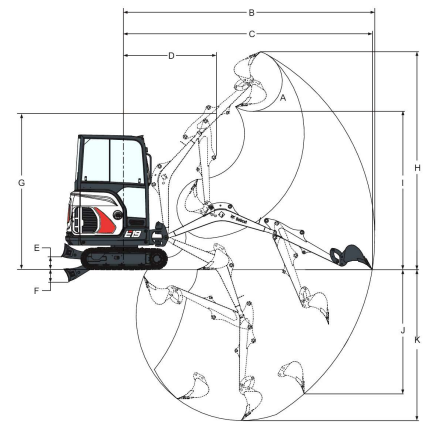
Noise level LpA(EU Directive 2006/42/EC)	79 dB(A)
Noise level LWA(EU Directive 2000/14/EC)	93 dB(A)
Whole body vibration (ISO 2631-1)	0.09 ms <sup>-2</sup>
Hand-arm vibration (ISO 5349-1)	0.33 ms <sup>-2</sup>

### Standard Features

230 mm rubber track	Hydraulic and travel control lockout
980 mm dozer blade with two 190 mm blade extensions	Hydraulic joystick controls
Battery disconnect switch	Hydraulically retractable undercarriage from 1360 mm to 980 mm
Control console locks	Retractable seat belt
Cupholders	Storage compartment
Double acting auxiliary hydraulics with quick couplers	TOPS/ROPS/FOPS canopy <sup>1</sup>
Engine monitor with auto shutdown	Two-speed travel
Exposed counterweight with 4 mm steel tailgate	Upper structure four point tie down
Foldable and ergonomic travel pedals	Water separator
Full fuel warning alarm	Work light (boom)
Grease gun holder	Warranty: 24 months, 2000 hours (whichever occurs first)
Horn	

1. Roll Over Protective Structure (ROPS) – Meets requirements of ISO 3471. Tip Over Protective Structure (TOPS) – Meets requirements of ISO 12117. Falling Object Protective Structure (FOPS) – Meets requirements of ISO 3449.

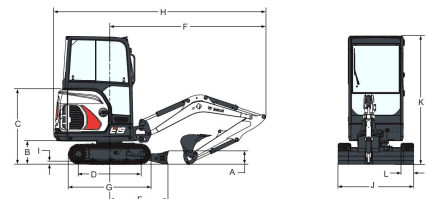
### Working Range



Values marked with \* - Long dipperstick

(A)	196.0°	(G)	2564.0 mm
(B)	4084.0 mm	(H)	3573.0 mm
(B*)	4257.0 mm	(H*)	3701.0 mm
(C)	4039.0 mm	(I)	2566.0 mm
(C*)	4214.0 mm	(I*)	2693.0 mm
(D)	1542.0 mm	(J)	1948.0 mm
(D*)	1561.0 mm	(J*)	2115.0 mm
(E)	220.0 mm	(K)	2385.0 mm
(F)	204.0 mm	(K*)	2565.0 mm

### Dimensions



(A)	235.0 mm	(J)	980.0 mm
(B)	419.0 mm	(J*)	1360.0 mm
(C)	1340.0 mm	(K)	2299.0 mm
(D)	1114.0 mm	(L)	230.0 mm
(E)	1045.0 mm	(M)	433.0 mm
(F)	2832.0 mm	(N)	589.0 mm
(G)	1476.0 mm	(O)	1154.0 mm
(H)	3831.0 mm	(P)	1009.0 mm
(H*)	3812.0 mm	(Q)	1801.0 mm
(I)	25.0 mm	(R)	1645.0 mm

### Options

Demolition package (boom, arm, bucket cylinder covers & HD travel hoses guard)	Additional halogen lights
Object handling package (Valves, OWD, Liftye)	LED lights set
TOPS/ROPS/FOPS cab w/ heater	Beacon
Long dipperstick w/ clamp eyes	Special Application kit
Long dozer blade	L/R mirrors
AUX1 direct return to tank	Fire extinguisher
AUX2 hydraulics	Hydraulic clamp
AUX1/AUX2 on arm	Klacc C and MS01 couplers
Keyless ignition	Comfort package (Superior seat for canopy or Cloth susp. seat for cab, Autospeed shift, Aux and Off-set pilot control)
Travel motion alarm	Performance package (HD travel motors, add. counterweight)
AM/FM MP3 radio	